

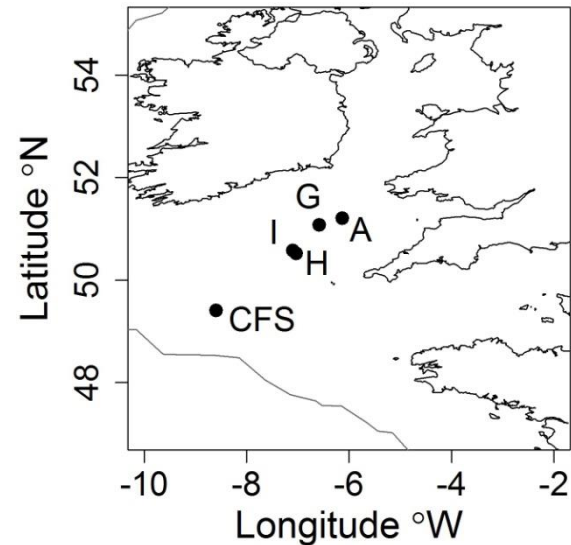
Listen to the ocean

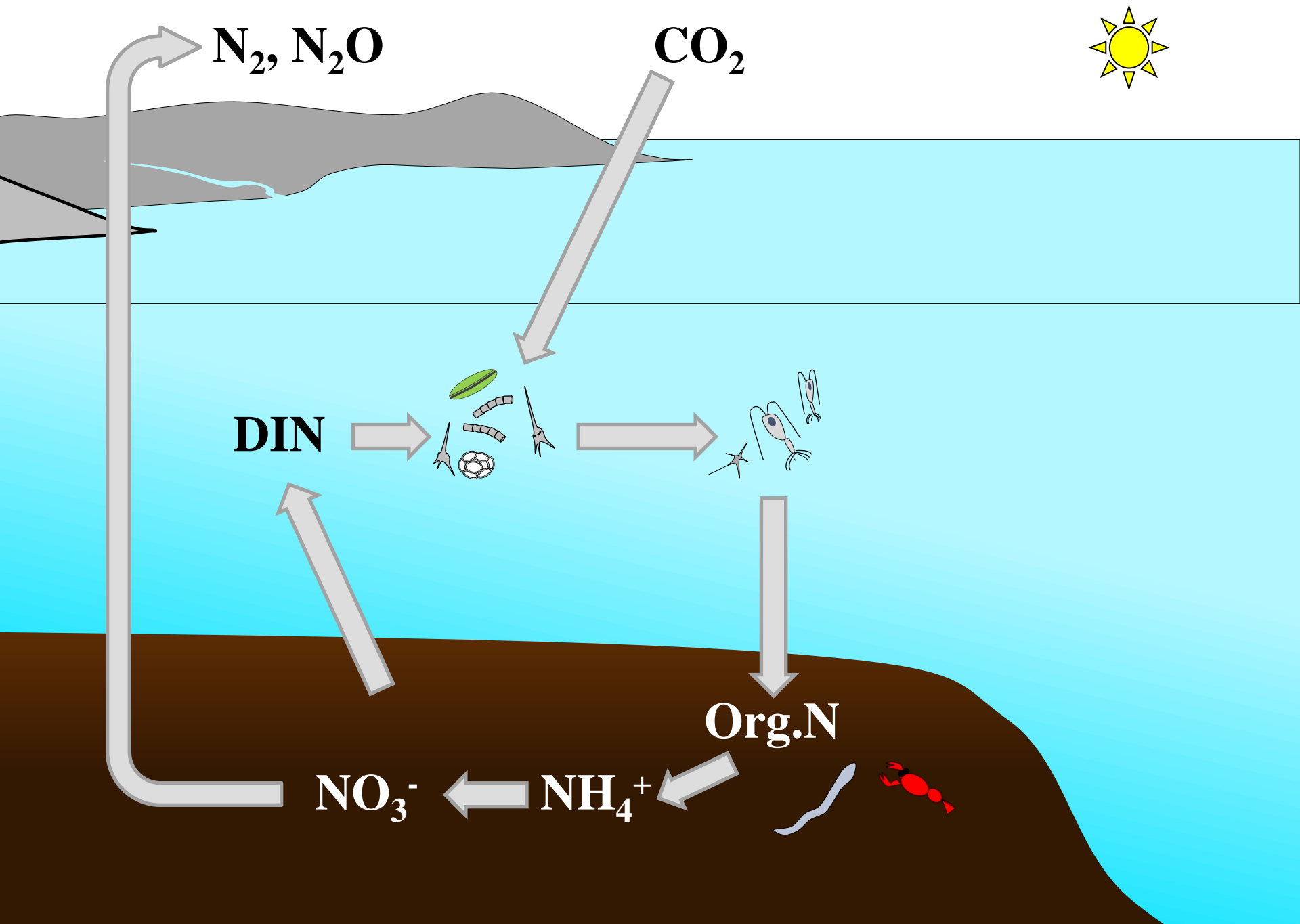
## Shelf Seas Biogeochemistry

### Benthic N-cycling

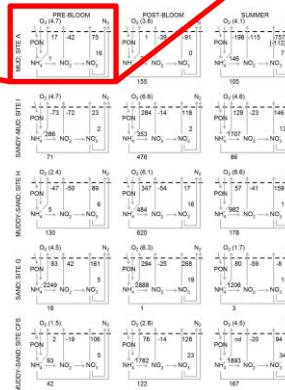
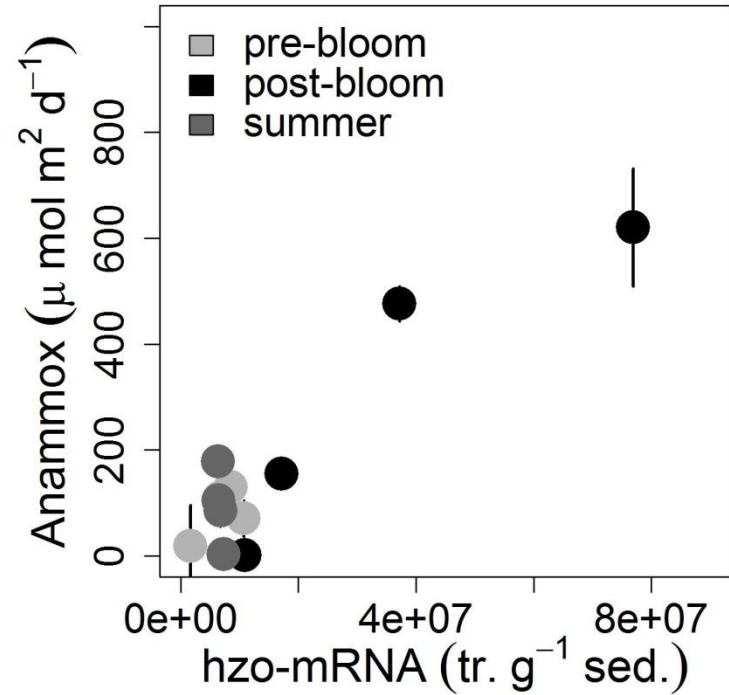
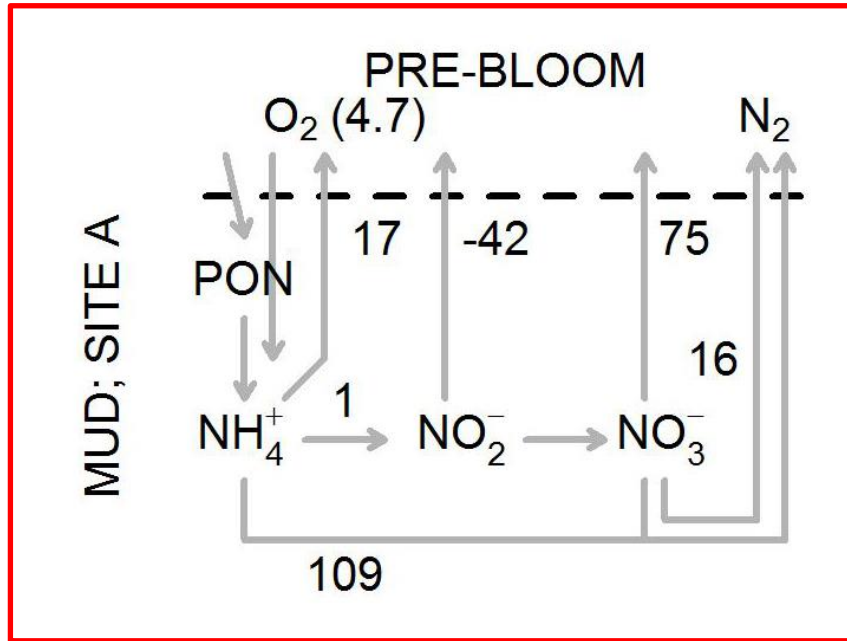
Vassilis Kitidis ([vak@pml.ac.uk](mailto:vak@pml.ac.uk))

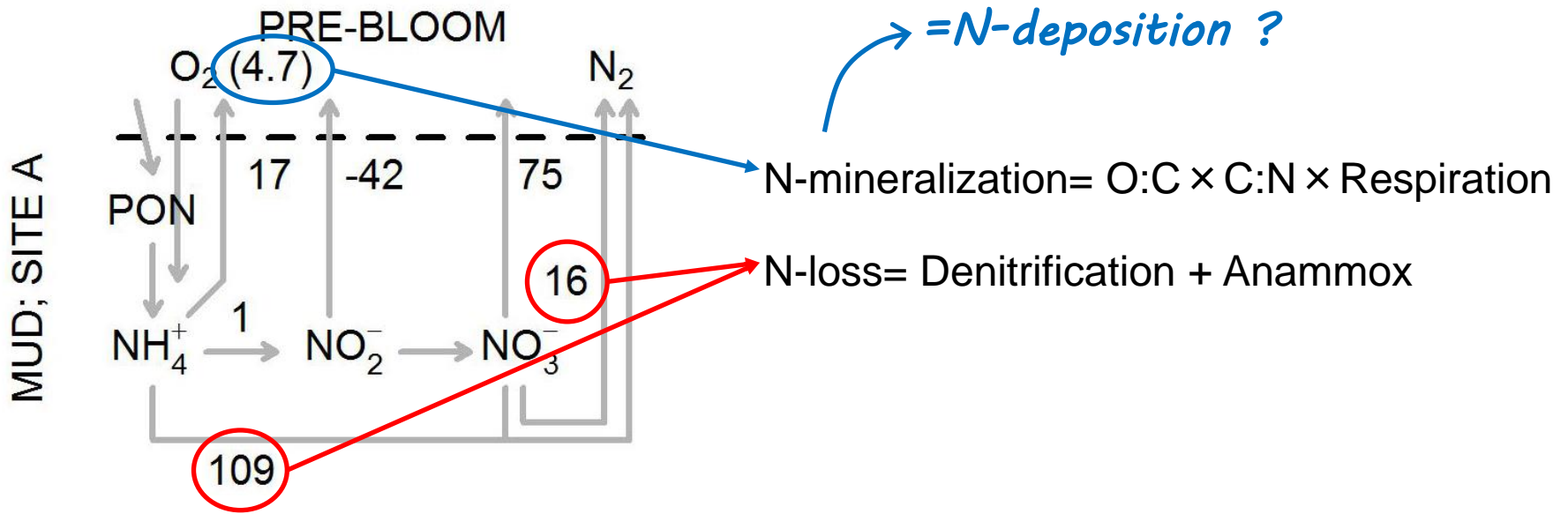
Andy Rees, Ian Brown, Malcolm Woodward,  
Jo Nunes, Karen Tait, Gavin Tilstone,  
Dave Sivyer, Briony Silburn





# Data





- Celtic Sea loses 6-9% of Organic Nitrogen deposited annually

**i.e. majority of N is recycled within the system**